

---

# LCFN

---

CONCRETE POOL NICHE

0640

1280

36240



Installation Instructions

---

**ASTEL**  
LIGHTING

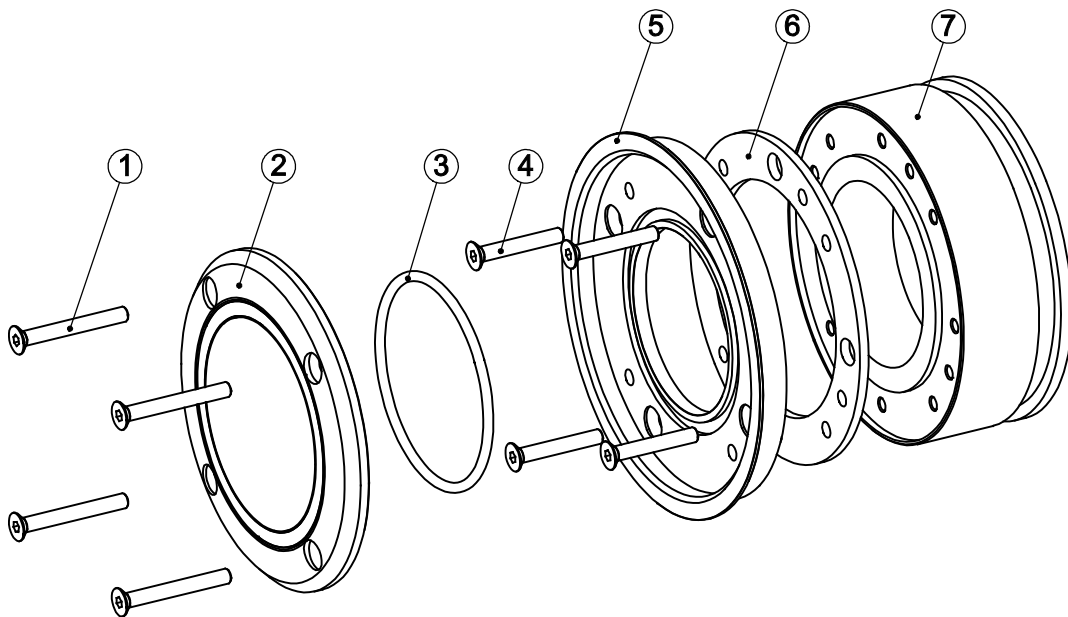
## PREFACE

The Concrete Pool Niche LCFN series is designed to install the METEOR series of underwater lights to the concrete pools with ceramic tile finish aligned with the wall surface. The LCFN unit is assembled of black UHMW polyethylene body and stainless-steel flush-mount front lid. The polished stainless-steel flush-mount front lid with stainless-steel screws and O-ring enable reliable waterproof and esthetical installation.

## FEATURES

- For using with METEOR series
- Black UHMW-PE Body
- Stainless-Steel Flush-Mount Front Lid
- Stainless Steel Screws
- Simple Installation

## COMPONENTS



### (1) SCREWS

Stainless steel screws for underwater light fixing.

### (2) UNDERWATER LIGHT

The METEOR series of underwater lights.

### (3) O-RING

O-ring.

### (4) SCREWS

Stainless steel screws for stainless steel front lid fixing.

### (5) FRONT LID

Stainless steel flush-mount front lid.

### (6) GASKET

Gasket.

### (7) UHMW-PE BODY

Polyethylene body with fixing holes and sealing grooves.

# INSTALLATION

The LCFN kit consists of the following components:

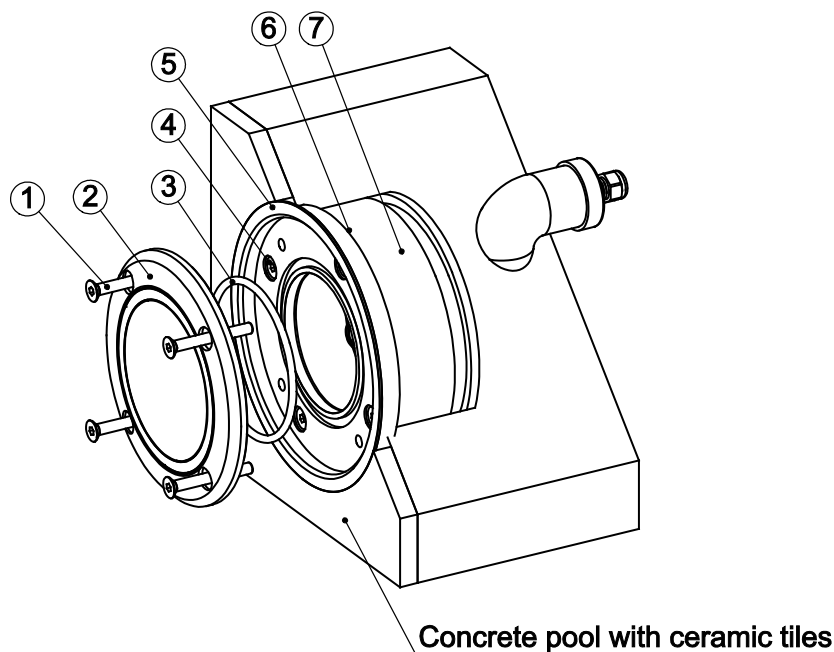
- UHMW-PE body
- Stainless steel flush-mount front lid
- 1 x O-ring
- 1 x gasket
- 4 x fixing screw M6 X 40
- 4 x fixing screw M6 X 50
- Installation instructions

## Fixing and sealing

The LCFN niche has to be mounted inside the concrete wall of the pool aligned with ceramic tile finish under water line.

The METEOR series of underwater lights has to be fixed to the LCFN niche with 4 screws. The sealing is enabled by the help of O-ring which have to be inserted properly.

The installation has to be realized by a qualified personnel.



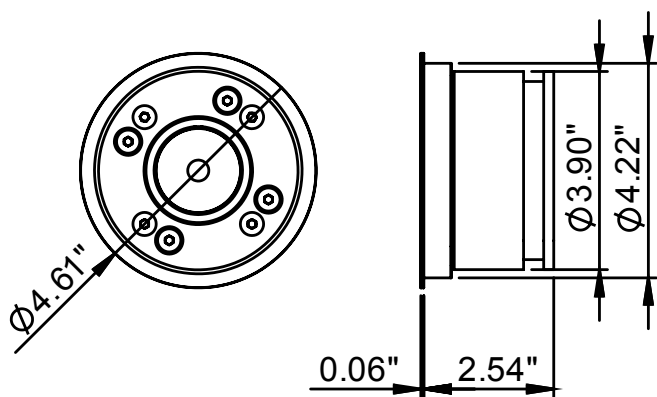
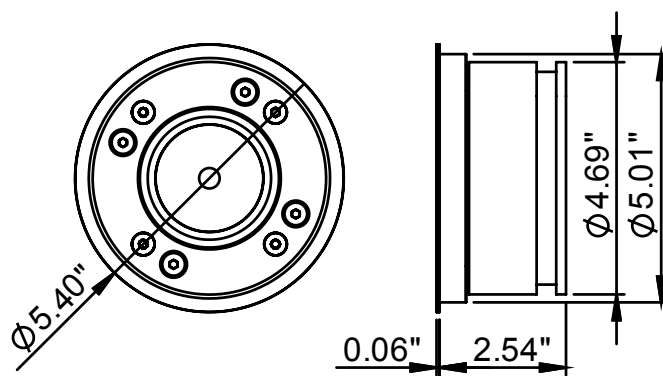
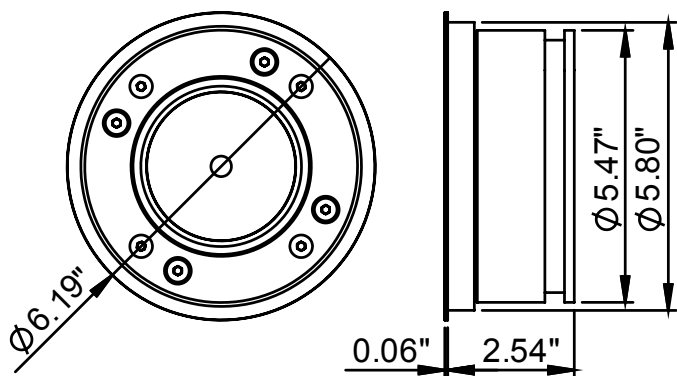
## Note:

- ***Do not overtighten the screws as this can result in underwater pool light or niche damage.***

# TECHNICAL SPECIFICATIONS



Material	UHMW-PE / Stainless Steel (SAE316L)
Dimensions	Ø4.61" x 2.54" (LCFN 0640)
	Ø5.40" x 2.54" (LCFN 1280)
	Ø6.19" x 2.54" (LCFN 36240)
Weight	1.8 lbs (LCFN 0640)
	2.4 lbs (LCFN 1280)
	2.9 lbs (LCFN 36240)



*Design and specifications subject to change without notice.*

ASTEL d.o.o., Dutovlje 138, 6221 Dutovlje, Slovenia  
Tel: +386 5 7310771, +386 5 7310772  
Fax: +386 5 7310789  
E-mail: [info@astel-lighting.com](mailto:info@astel-lighting.com)  
Web: [www.astel-lighting.com](http://www.astel-lighting.com)