
LCPNXP32

CONCRETE POOL NICHE



Installation Instructions

ASTEL
LIGHTING

PREFACE

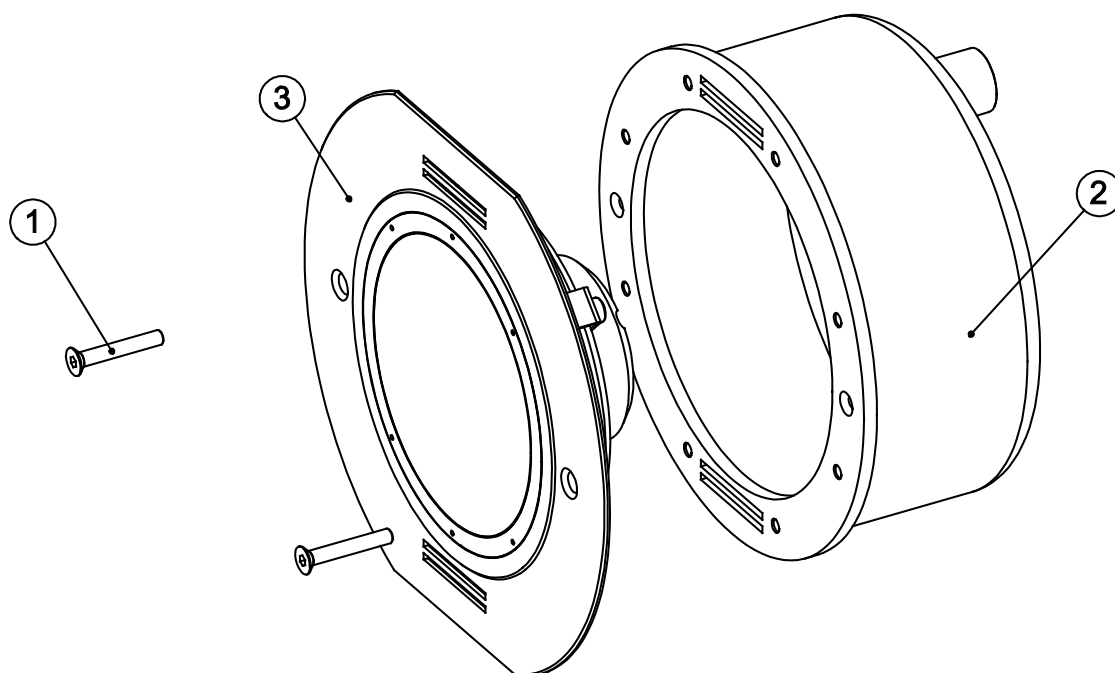
The Concrete Pool Niche LCPNXP32 is designed to install the METEOR XP series of underwater lights to stainless-steel or concrete pools with ceramic tile finish.

The LCPNXP32 niche is made of electro-polished stainless-steel. Together with stainless-steel screws and PVDF cable gland reliable waterproof and esthetical installation is enabled.

FEATURES

- For using with METEOR XP series
- Stainless-Steel Body
- PVDF Cable Gland

COMPONENTS



(1) Screws

Stainless-steel screws for underwater light fixing.

(2) Stainless-Steel Body

Stainless-steel body with threaded fixing holes, light cooling slots and cable gland.

(3) Underwater Light

The METEOR XP series of underwater lights.

INSTALLATION

The LCPNXP32 kit consists of the following components:

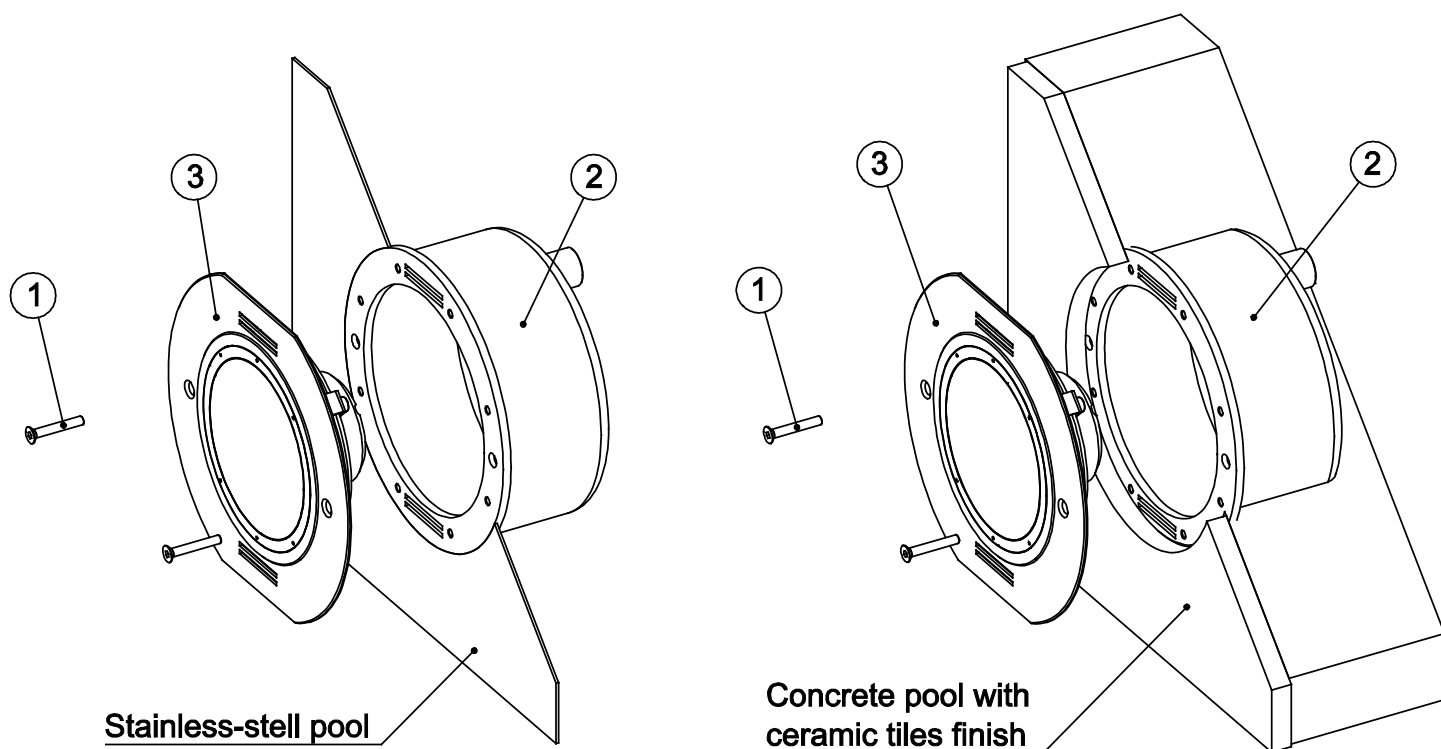
- Stainless-steel niche with cable gland
- Installation instructions

Fixing and sealing

The LCPNXP32 niche has to be mounted inside the concrete wall of the pool with ceramic tile finish under water line.

The METEOR XP series of underwater lights has to be fixed to the LCPNXP32 niche with 2 screws.

The installation has to be realized by a qualified pers3onnel.



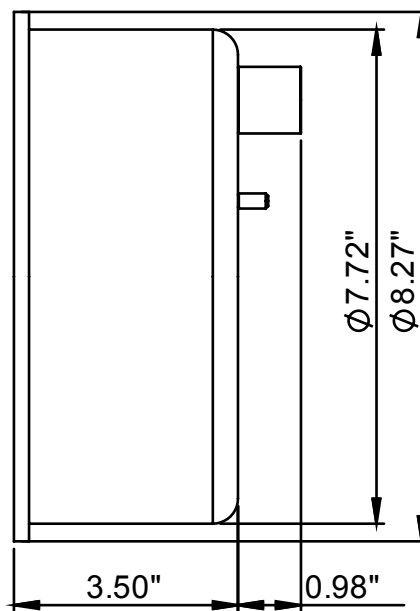
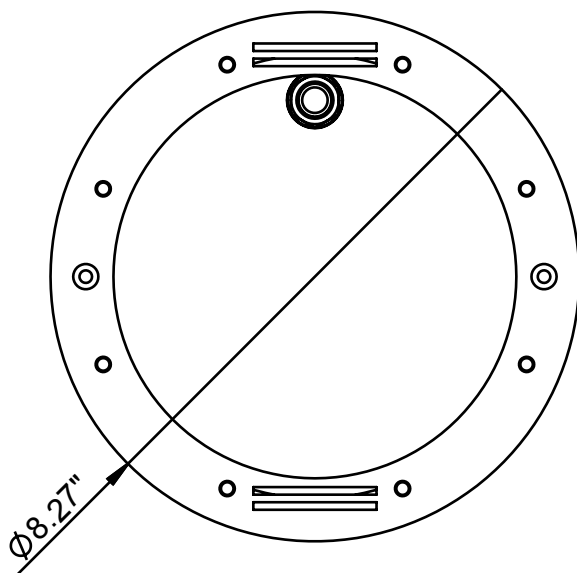
Note:

- *Do not overtighten the screws as this can result in light fixing plate or niche damage.*

TECHNICAL SPECIFICATIONS

Material
Dimensions
Weight

Stainless-steel (SAE316L)
Ø8.27" x 4.48" mm
4.9 lbs



Design and specifications subject to change without notice.

ASTEL d.o.o., Dutovlje 138, 6221 Dutovlje, Slovenia
Tel: +386 5 7310771, +386 5 7310772
Fax: +386 5 7310789
E-mail: info@astel-lighting.com
Web: www.astel-lighting.com