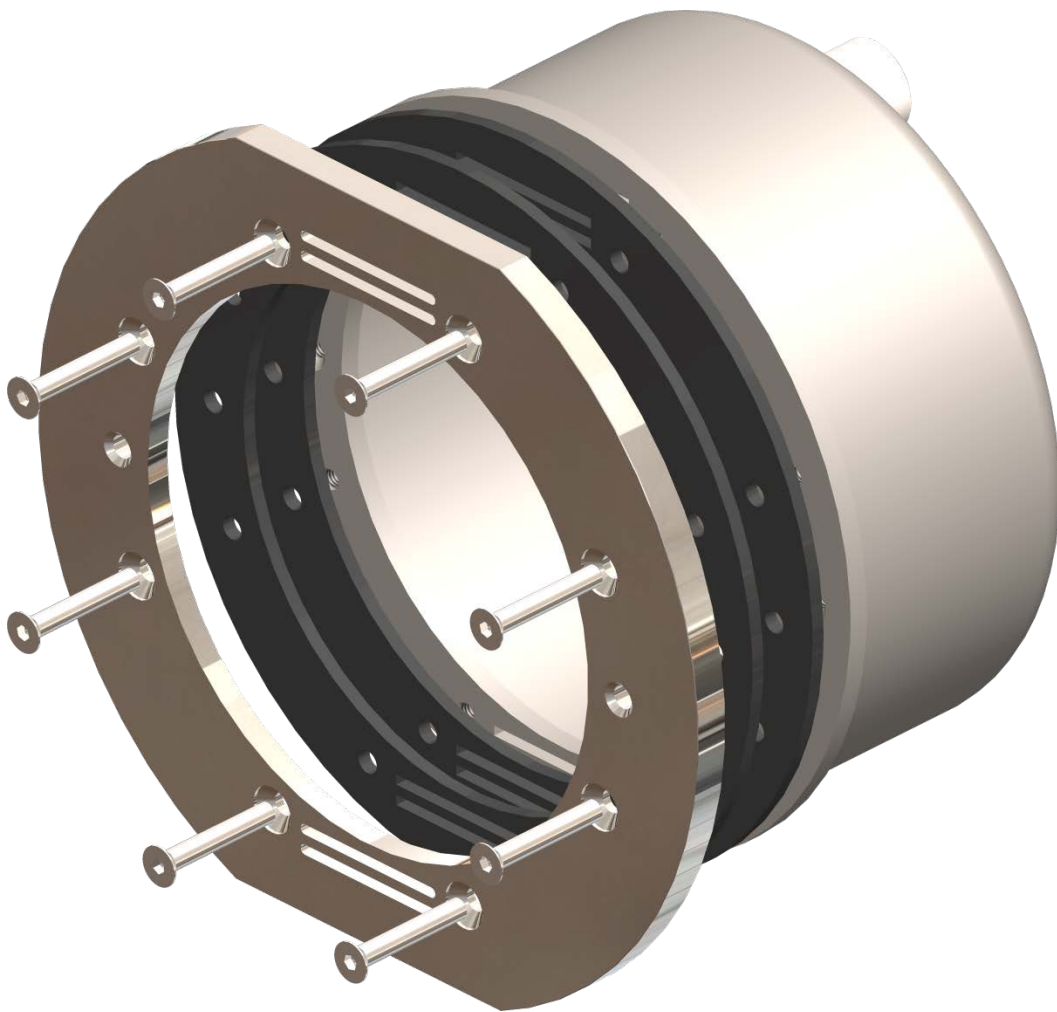

LLPNXP32

LINER POOL NICHE



Installation Instructions

ASTEL
LIGHTING

PREFACE

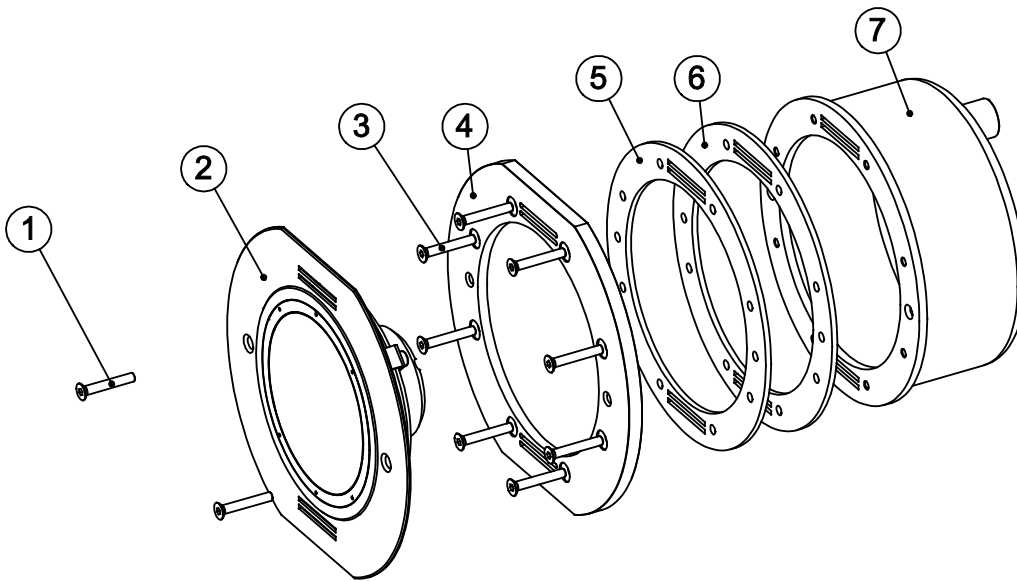
The Liner Pool Niche LLPNXP32 is designed to install the METEOR XP series of underwater lights to liner/concrete pools.

The LLPNXP32 niche is made of electro-polished stainless-steel body with stainless-steel flange. Together with stainless-steel screws, elastomer gaskets and PVDF cable gland reliable waterproof and esthetical installation is enabled.

FEATURES

- For using with METEOR XP series
- Stainless-Steel Body
- Stainless-Steel Flange and Screws
- Elastomer Gaskets
- PVDF Cable Gland

COMPONENTS



(1) Screws

Stainless-steel screws for underwater light fixing.

(2) Underwater Light

The METEOR XP series of underwater lights.

(3) Screws

Stainless-steel screws for niche assembling.

(4) Stainless-Steel Flange

Stainless-steel flange with fixing holes and light cooling slots.

(5) Elastomer Gasket

Gaskets with fixing holes and light cooling slots.

(6) Elastomer Gasket

Gaskets with fixing holes and light cooling slots.

(7) Stainless-Steel Body

Stainless-steel body with threaded fixing holes, light cooling slots and cable gland.

INSTALLATION

The LLPNXP32 kit consists of the following components:

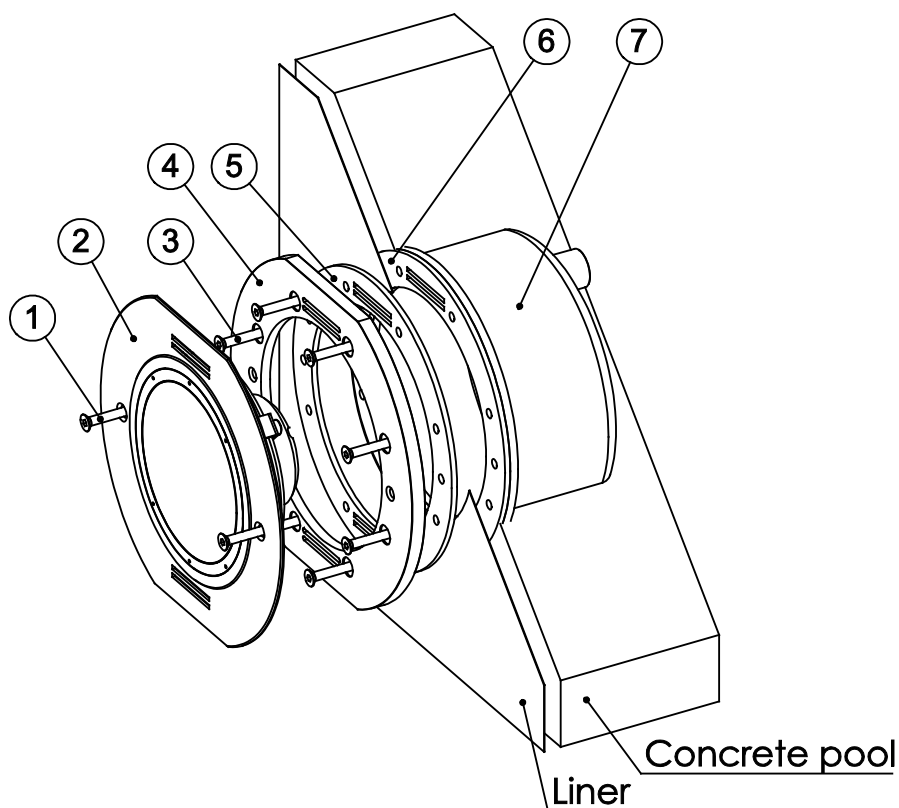
- Stainless-steel niche with cable gland
- Stainless-steel flange
- 2 x elastomer gaskets
- 8 x fixing screw M6 X 40
- Installation instructions

Fixing and sealing

The LLPNXP32 body has to be mounted inside the concrete wall of the pool with liner under water line. The stainless-steel flange has to be fixed to the body with 8 screws M6 X 40

The METEOR XP series of underwater lights has to be fixed to the LLPNXP32 niche with 2 screws.

The installation has to be realized by a qualified personnel.



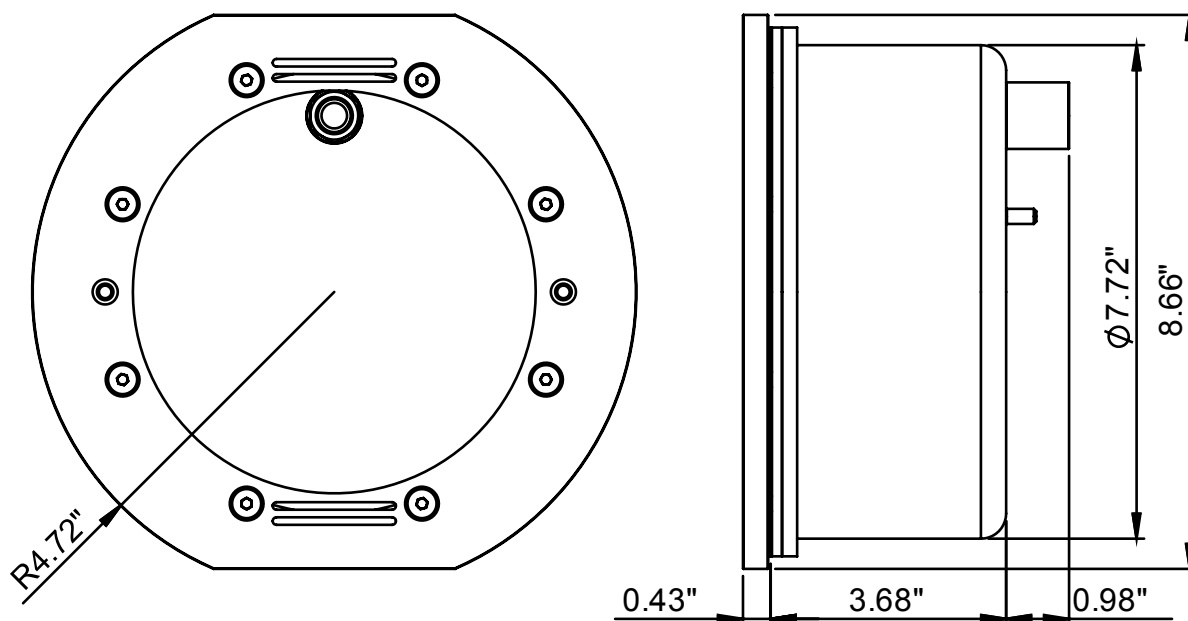
Note:

- ***Do not overtighten the screws as this can result in light fixing plate or niche damage.***

TECHNICAL SPECIFICATIONS

Material
Dimensions
Weight

Stainless-steel (SAE316L)
Ø4.72" x 8.66" x 5.09"
8.2 lbs



Design and specifications subject to change without notice.

ASTEL d.o.o., Dutovlje 138, 6221 Dutovlje, Slovenia

Tel: +386 5 7310771, +386 5 7310772

Fax: +386 5 7310789

E-mail: info@astel-lighting.com

Web: www.astel-lighting.com