
LLPN

LINER POOL NICHE
0640
1280
36240



Operating Instructions

ASTEL
LIGHTING

PREFACE

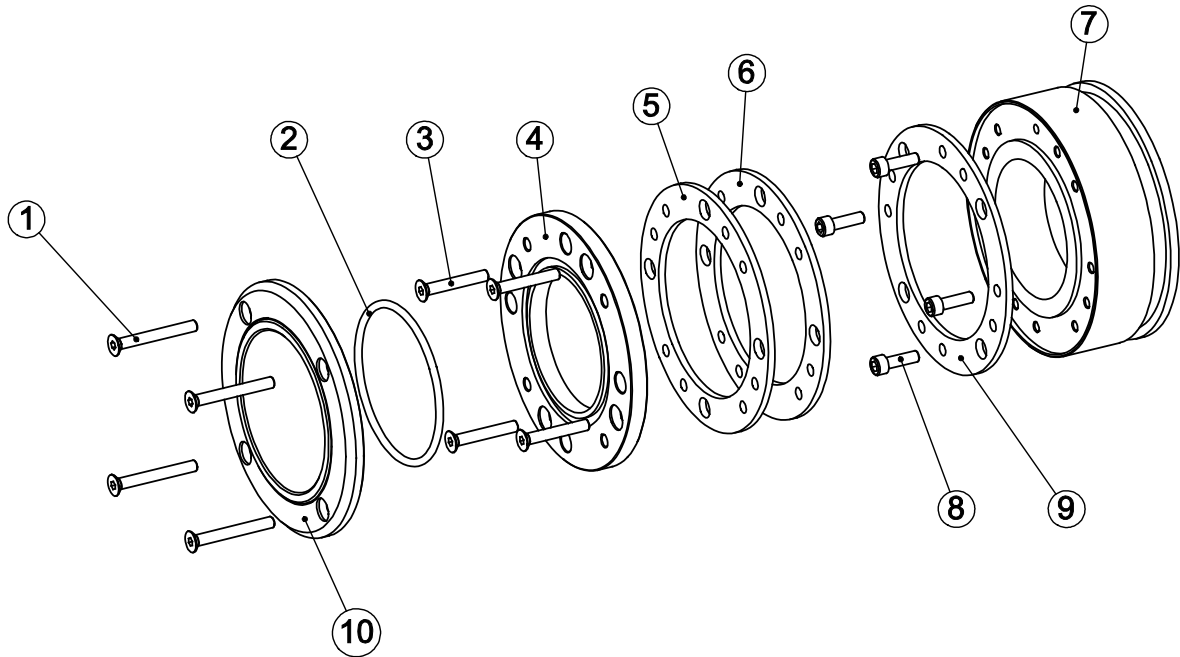
The Liner Pool Niche LLPN series is designed to install the METEOR series of underwater lights on the polyester pools and liner/concrete pools.

The LLPN body and upper flange are made of black UHMW polyethylene with optional upper flange made of stainless steel (LLR). Optional gasket (LLS) enable the installation on the liner /stainless steel pools. The O-rings, gaskets and stainless steel screws enable reliable waterproof and esthetical installation.

FEATURES

- For using with METEOR series
- Black UHMW-PE Body
- Black UHMW-PE Upper Flange
- Optional Stainless Steel Upper Flange (LLR)
- Optional Gasket for Liner / Stainless Steel Pools (LLS)
- Stainless Steel Screws
- Simple Installation

COMPONENTS



(1) SCREWS

Stainless steel screws for underwater light fixing.

(2) O-RING

O-ring.

(3) SCREWS

Stainless steel screws for UHMW-PE body and upper flange fixing on polyester and liner/concrete pools.

(4) FLANGE

Black UHMW-PE Upper Flange.

(5) GASKET

Gasket.

(6) GASKET

Gasket.

(7) UHMW-PE BODY

Polyethylene body of LLPN niche with fixing holes and sealing groove.

(8) SCREWS

Stainless steel screws for UHMW-PE body fixing on liner/stainless steel pools (optional).

(9) GASKET

Gasket for liner/stainless steel pools installation (optional).

(10) UNDERWATER LIGHT

The METEOR series of underwater lights.

INSTALLATION

The LLPN kit consists of the following components:

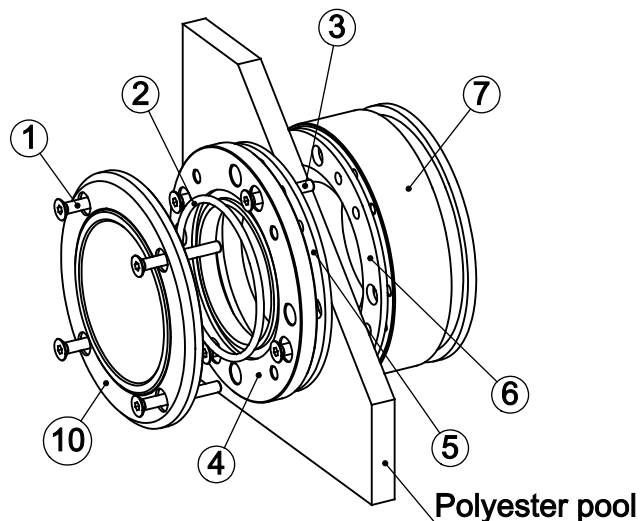
- UHMW-PE body and upper flange
- 4 x fixing screw M6 X 40
- 4 x fixing screw M6 X 50
- O-ring
- 2 x gasket
- Installation instructions

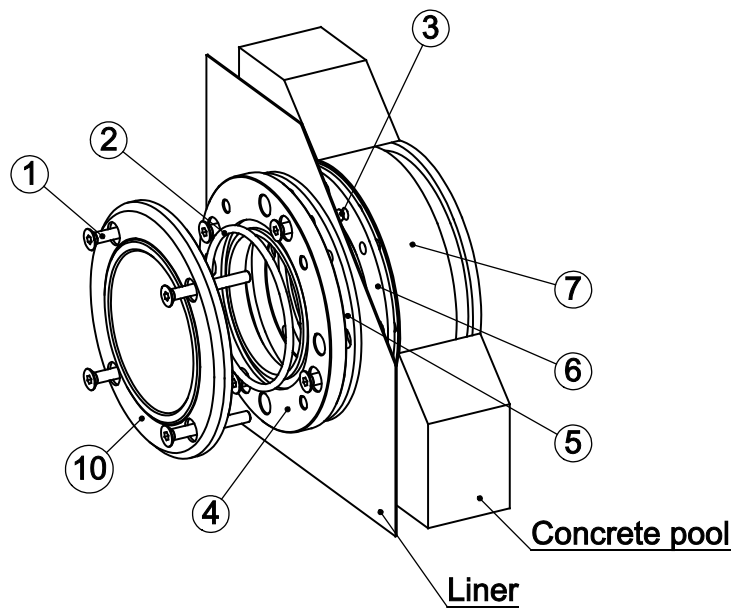
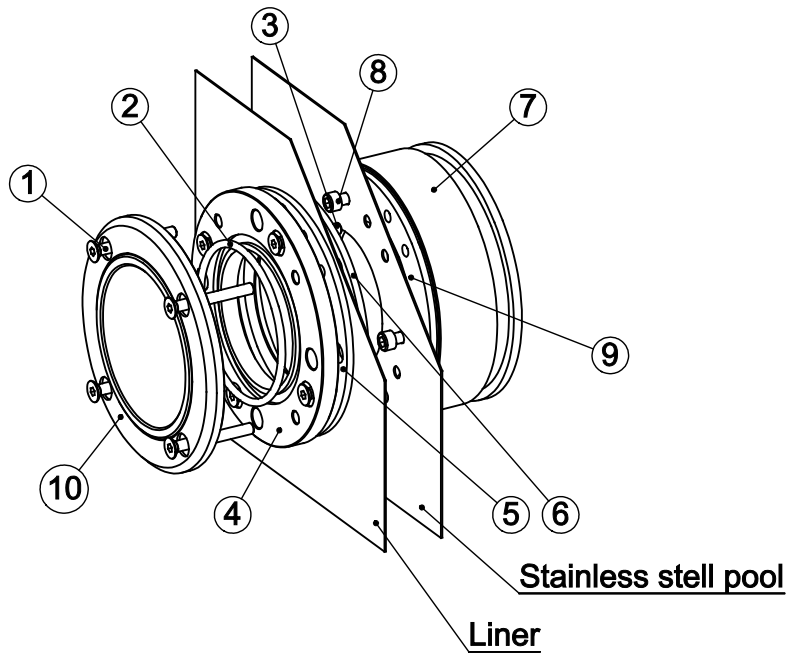
Fixing and sealing

The LLPN niche has to be mounted inside the wall of polyester pools, liner/concrete pools or liner /stainless steel pools under water line.

The METEOR series of underwater lights has to be fixed to the LLPN niche with 4 screws. The sealing is enabled by the help of O-ring which has to be inserted properly.

The installation has to be realized by a qualified personnel.





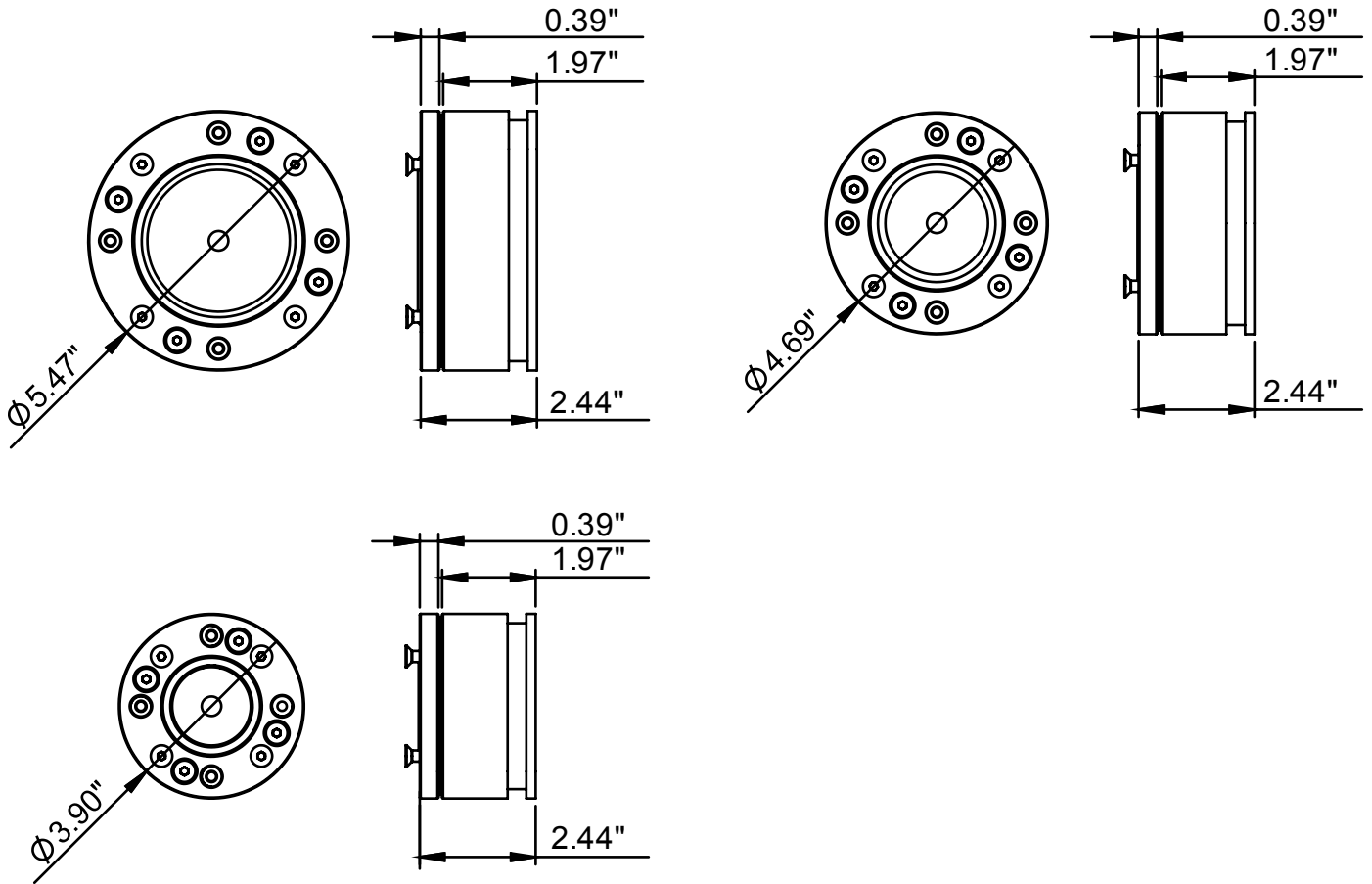
Note:

- *Do not overtighten the screws as this can result in underwater pool light or niche damage.*

TECHNICAL SPECIFICATIONS



Material	UHMW-PE
Dimensions	Ø3.90" x 2.44" (LLPN 0640) Ø4.69" x 2.44" (LLPN 1280) Ø5.47" x 2.44" (LLPN 36240)
Weight	1.1 lbs (LLPN 0640) 1.5 lbs (LLPN 1280) 2.8 lbs (LLPN 36240)



Design and specifications subject to change without notice.

OPTIONAL ACCESSORIES

- Liner/Stainless Steel Pool Niche Accessory LLS
- Liner Pool Niche Accessory LLR

ASTEL d.o.o., Dutovlje 138, 6221 Dutovlje, Slovenia
Tel: +386 5 7310771, +386 5 7310772
Fax:+386 5 7310789
E-mail: info@astel-lighting.com
Web: www.astel-lighting.com