
LRMN

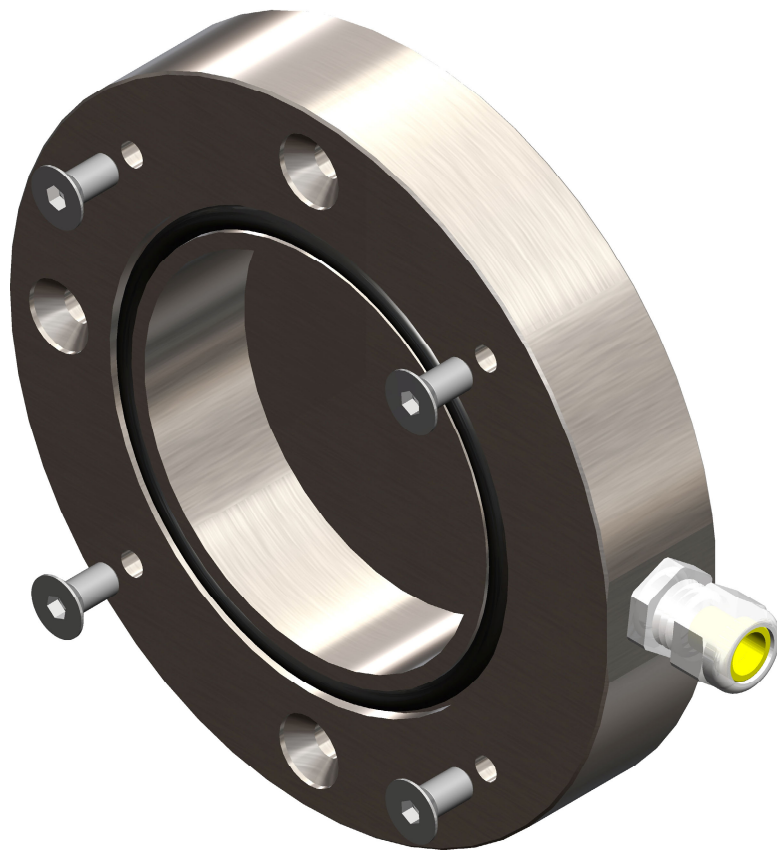
SURFACE MOUNT RIGHT-ANGLE NICHE

0640

1280

36240

36500



Installation Instructions

ASTEL
LIGHTING

PREFACE

The Surface Mount Right-Angle Niche LRMN series is designed to install the METEOR series of underwater lights on the pool wall.

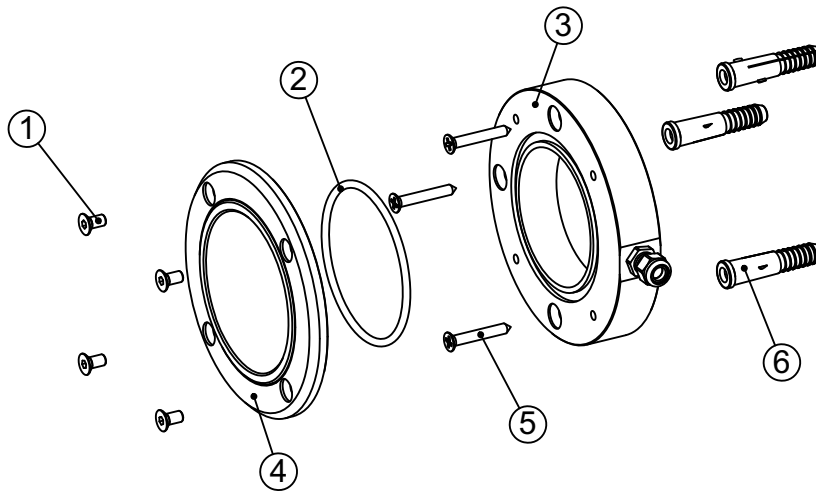
The connection cable is inserted through the cable gland.

The LRMN body is made of stainless steel. The O-ring and stainless steel screws enable reliable waterproof and esthetical installation.

FEATURES

- For using with METEOR series
- Stainless Steel body
- Stainless Steel Screws
- PVDF Cable Gland
- Simple Installation

COMPONENTS



(1) SCREWS

Stainless steel screws for underwater light fixing.

(2) O-RING

O-ring.

(3) STAINLESS STEEL BODY

Stainless steel body with fixing holes and sealing groove.

(4) UNDERWATER LIGHT

The METEOR series of underwater lights.

(5) SCREWS

Stainless steel screws for stainless steel body fixing (located in underwater light kit).

(6) WALL-PLUG

The wall-plugs for stainless steel body fixing (located in underwater light kit).

(7) CABLE GLAND

The PVDF cable gland to insert the connection cable.

INSTALLATION

The LRMN kit consists of the following components:

- Stainless steel body
- 4 x fixing screw M6 X 12
- O-ring
- Installation instructions

Fixing and sealing

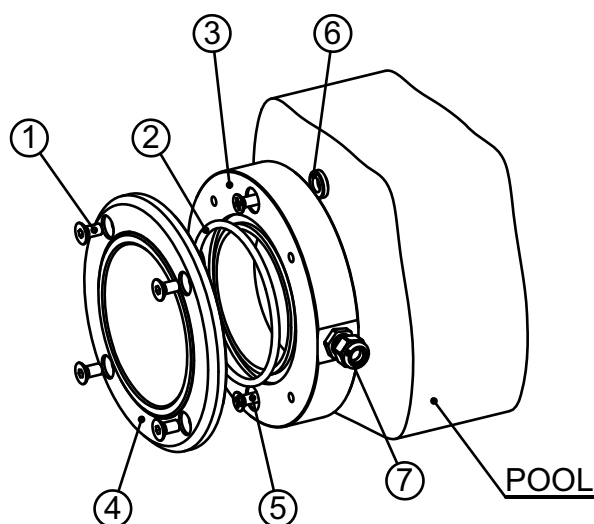
The LRMN niche has to be fixed on a flat surface of the pool wall under water line.

The sealant has to be used around the four fixing screws and on the rear surface of the LRMN niche.

The sealant can be on silicon basis but the best solution is two-component polymer sealant.

The METEOR series of underwater lights has to be fixed to the LRMN niche with 4 screws. The sealing is enabled by the help of O-ring which have to be inserted properly.

The installation has to be realized by a qualified personnel.

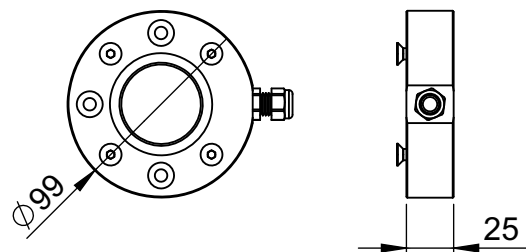
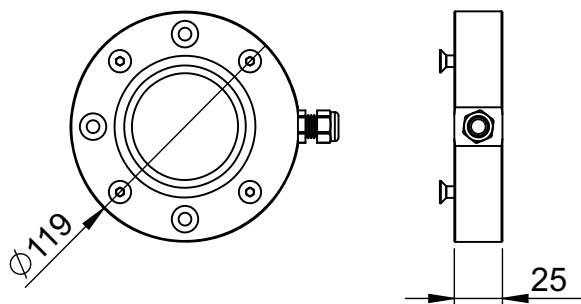
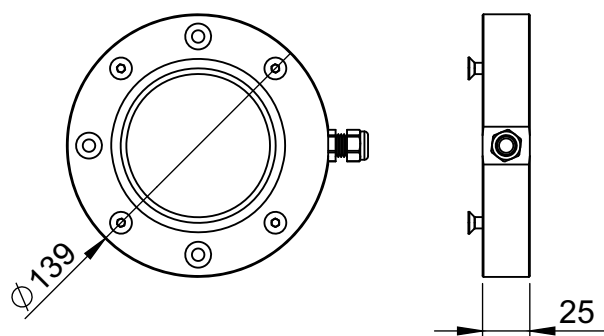
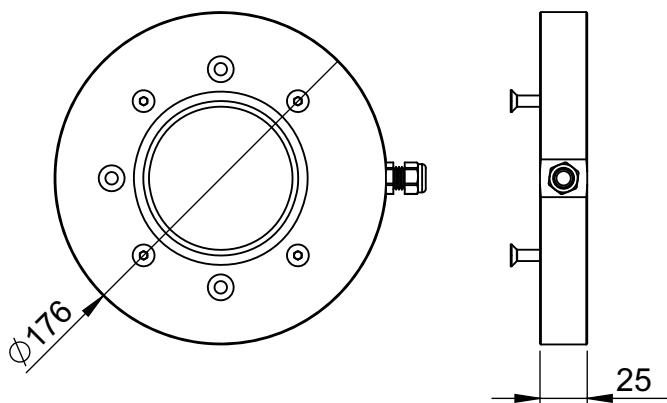


Note:

- ***Do not overtighten the screws as this can result in underwater pool light or niche damage.***

TECHNICAL SPECIFICATIONS

Material	Stainless steel (SAE316L)
Dimensions	Ø99 x 25 mm (LRMN 0640) Ø119 x 25 mm (LRMN 1280) Ø139 x 25 mm (LRMN 36240) Ø176 x 25 mm (LRMN 36500)
Weight	1.3 kg (LRMN 0640) 1.8 kg (LRMN 1280) 2.2 kg (LRMN 36240) 4.0 kg (LRMN 36500)



Design and specifications subject to change without notice.

ASTEL d.o.o., Dutovlje 138, 6221 Dutovlje, Slovenia

Tel: +386 5 7310771, +386 5 7310772

Fax: +386 5 7310789

E-mail: info@astel-lighting.com

Web: www.astel-lighting.com