

QUASAR

LSR12120

World's first
UNDERWATER POOL LED LIGHT
made entirely of **glass**

Sustainability | Efficiency | Durability



Astel d.o.o.
Dutovlje 138
6221 Dutovlje
Slovenia

Phone: +386 (0)5 7310 773
Fax: +386 (0)5 7310 789
Email: info@astel-lighting.com

www.astel-lighting.com



Astel Lighting is registered trademark of **ASTEL d.o.o.** All other trademarks not owned by **ASTEL d.o.o.** are the property of their respective owners. Due to continuous product improvement all specifications and design are subject to change without notice.

© 2025 ASTEL d.o.o.

QUASAR

WORLD'S FIRST **UNDERWATER POOL LED LIGHT**
MADE ENTIRELY OF **GLASS**

UNDERWATER POOL LED LIGHT

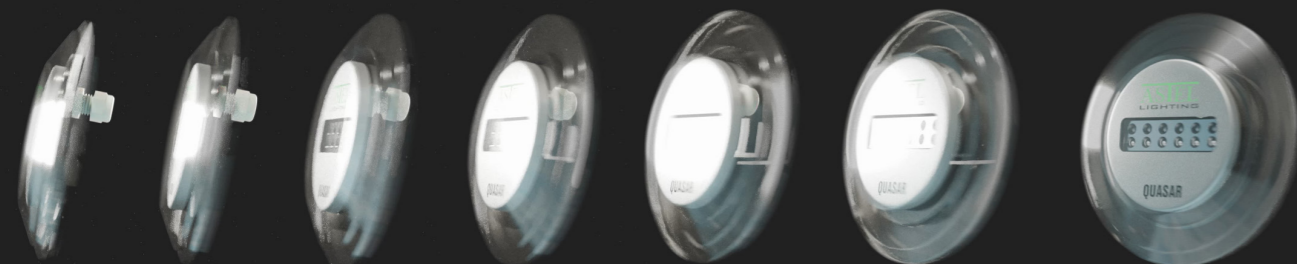
The **QUASAR**, a compact surface-mount low-profile underwater pool LED light with built-in driver is designed to use the latest LED lighting technology with consideration of the maximum extent from sustainable materials.

The casing is entirely made of **thermally treated glass** but at the same time is ensured to be easily installed without using of external metal parts.

Beside the direct **surface-mount installation** the casing is easy adaptable for installation to different adapters for flush-mount installations and different pool finishes.

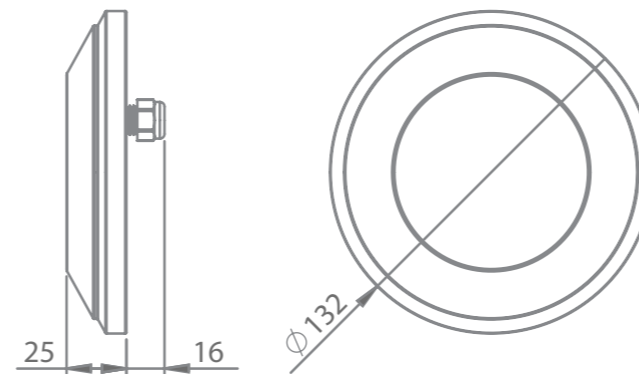
The design ensures excellent **waterproofing** as well as optimal lighting properties.

The single-color or multi-color versions allow **changing the color of lighting** through the complete color spectrum by using of optional **DMX512 controllers** and simple control of complete group of lights with **dimming**.



QUASAR LSR12120

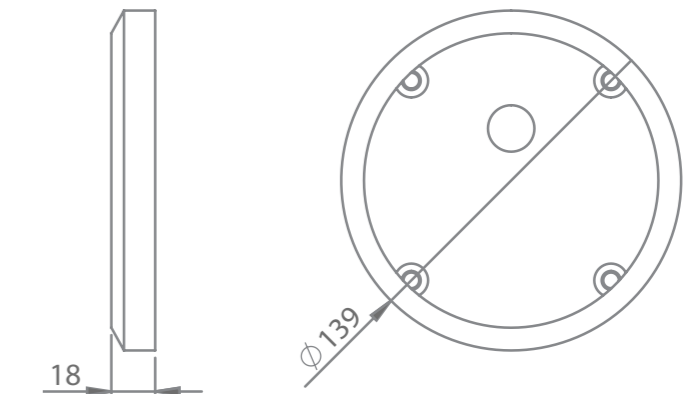
Power supply	12-24 Vdc, max. 600 mA/12 Vdc or 340 mA/24 Vdc
Lens angle	60° (standard) or 100° (wide)
Luminous flux	max. 1.900 lm (cool white)
ASTEL protocol default address	1
Operating temperature	-10°C - +50°C
Casing	Thermally treated glass
Protection	IP 68
Dimensions	Ø132 x 25 mm
Weight	0.7 kg



BASIC INSTALLATION ADAPTER

Basic Installation Adapter LQBA12120

Material	Translucent silicone
Dimensions	Ø139 x 18 mm
Weight	0.1 kg



COLOR OF LIGHTING

W		Cool white
WW		Warm white
B		Blue
G		Green
M		RGB multi-color
WM		WGB multi-color
MW		RGBW multi-color

BEAM ANGLE

-	standard
D	wide

FEATURES

- Low-Profile Thermal-Threated Glass Casing
- 12 Power LEDs Design
- Cool White, Warm White, Blue, Green, RGB, WGB or RGBW Lighting
- Low Voltage DC Power Supply
- Vacuum Metalized Reflector
- DMX512 Control
- Polarity Protection
- Transient Protection
- Thermal Protection
- Low Power Consumption
- Simple Installation

FEATURES

- For using with QUASAR 12120 series
- Translucent Silicone Body
- PC Fixing Plate
- Plastic Screws

