
LIFA

INLET FITTING ADAPTER

0640

1280

36240



Installation Instructions

ASTEL
LIGHTING

PREFACE

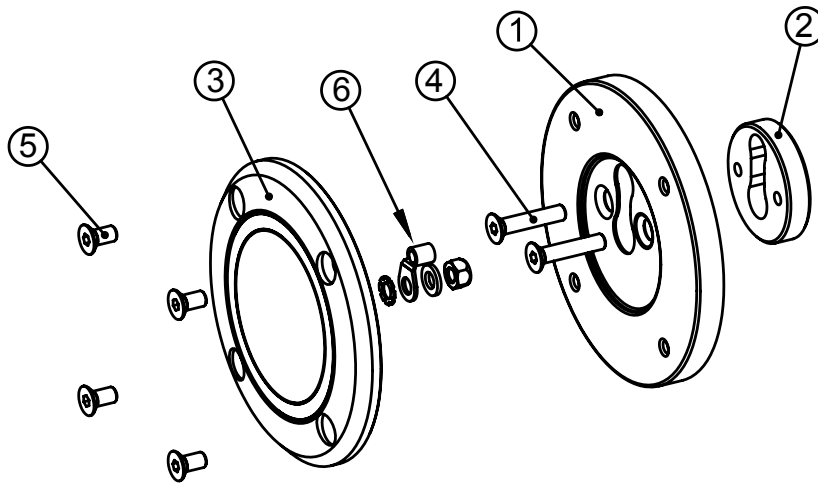
The Inlet Fitting Adapter LIFA is designed for installation of the METEOR series of underwater pool lights into the standard pool wall inlet fittings.

The LIFA insert is made of black UHMW polyethylene. The stainless steel shaped cover together with stainless steel screws enable reliable and esthetical installation.

FEATURES

- For using with METEOR series
- Electropolished Stainless Steel Cover
- Black UHMW-PE Insert
- Stainless Steel Screws
- Simple Installation

COMPONENTS



(1) COVER

Electropolished stainless steel shaped cover.

(2) UHMW-PE INSERT

Threaded polyethylene insert for wall inlet installation with 2 threaded holes for cover fixing screws.

(3) UNDERWATER LIGHT

The METEOR series underwater light.

(4) SCREWS

Stainless steel screws for cover fixing.

(5) SCREWS

Stainless steel screws for underwater light fixing.

(6) BONDING ASSEMBLY

Cable lug with nut and washers to fix the bonding wire.

INSTALLATION

The LIFA kit consists of the following components:

- UHMW-PE insert
- Stainless steel cover
- 2 x fixing screw M6 x 30
- 4 x fixing screw M6 x 12
- 1 x cable lug
- Installation instructions

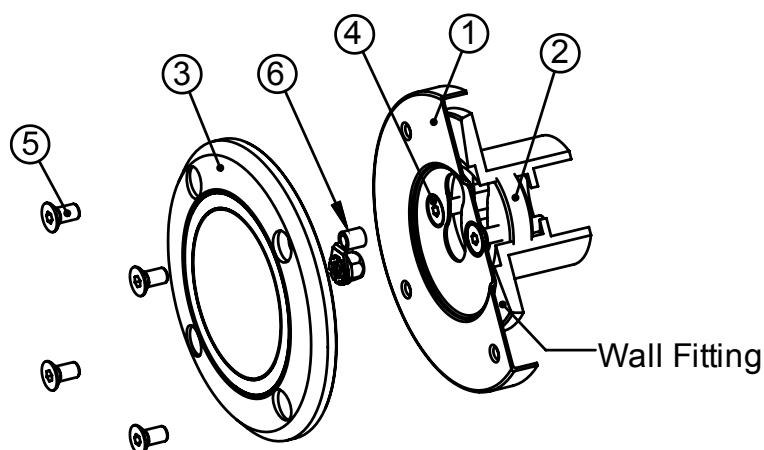
Fixing

The UHMW-PE insert has to be screwed into the wall inlet to a suitable depth.

The stainless steel cover has to be fixed to the UHMW-PE insert and aligned to the wall with 2 screws M6 x 30.

The METEOR series of underwater lights has to be fixed to the stainless steel cover with 4 screws M6 x 12.

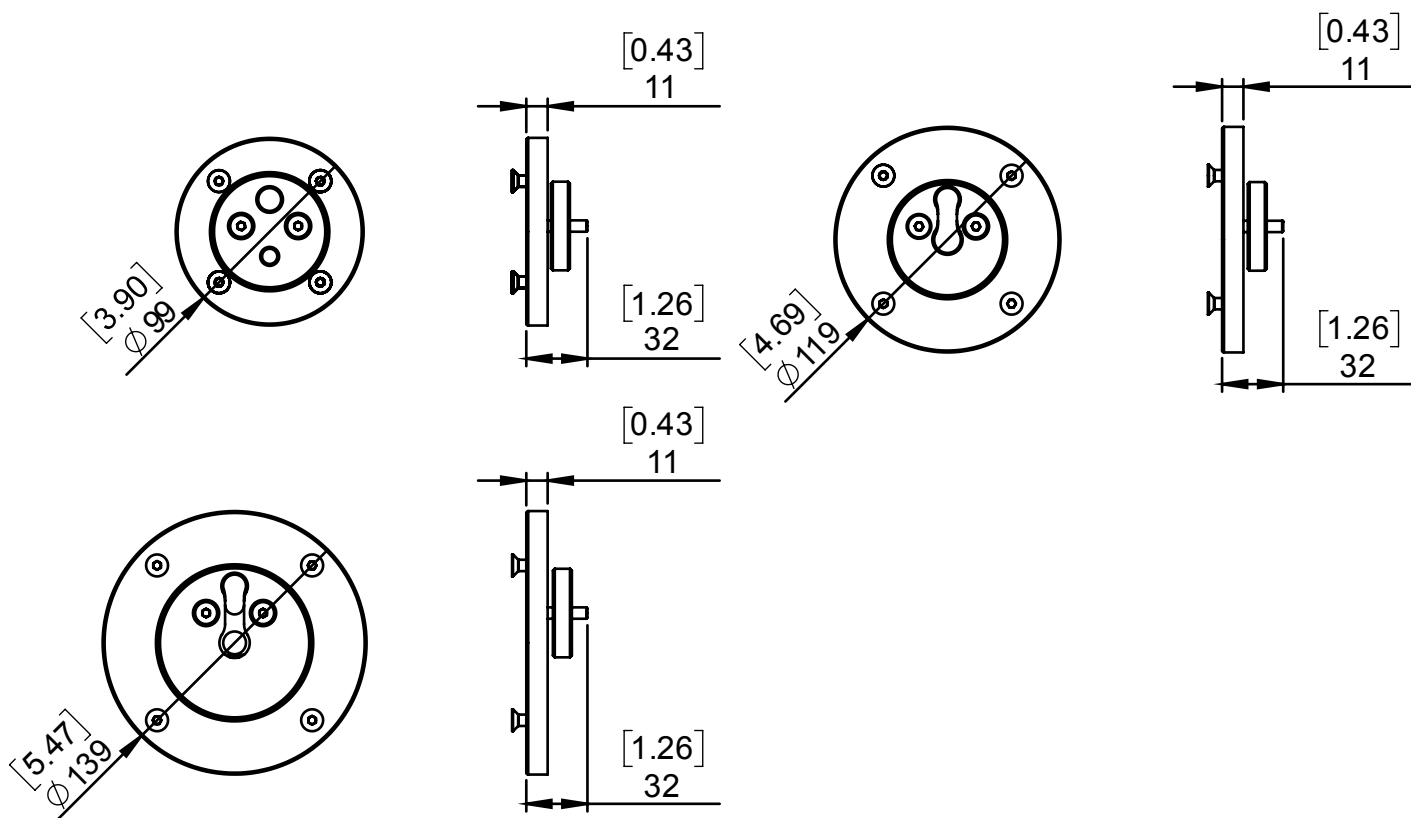
The installation has to be realized by a qualified personnel.



Note:

- ***Do not overtighten the screws as this can result in underwater pool light or adapter damage.***

TECHNICAL SPECIFICATIONS



Material
Dimensions

UHMW-PE / Stainless steel (SAE316L)
 $\phi 99 \times 32 \text{ mm} / \phi 3.90'' \times 1.26''$ (LIFA 0640)
 $\phi 119 \times 32 \text{ mm} / \phi 4.69'' \times 1.26''$ (LIFA 1280)
 $\phi 139 \times 32 \text{ mm} / \phi 5.47'' \times 1.26''$ (LIFA 36240)

Weight

120 g / 0.26 lbs (LIFA 0640)
 150 g / 0.33 lbs (LIFA 1280)
 185 g / 0.41 lbs (LIFA 36240)

Design and specifications subject to change without notice.

ASTEL d.o.o., Dutovlje 138, 6221 Dutovlje, Slovenia
 Tel: +386 5 7310771, +386 5 7310772
 Fax: +386 5 7310789

E-mail: info@astel-lighting.com

Web: www.astel-lighting.com